



**Electrolux**  
PROFESSIONAL

## Standard Preparation 1000 mm Wall Cupboard with 2 Doors & Plate Rack

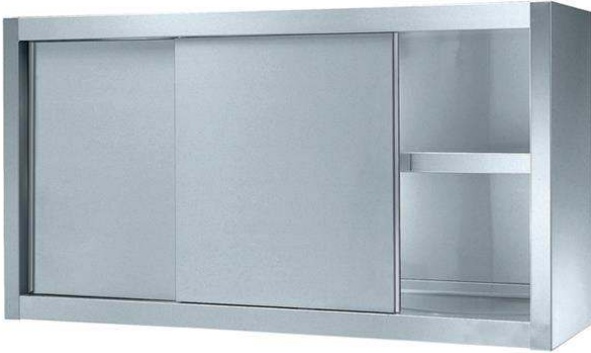
ITEM # \_\_\_\_\_

MODEL # \_\_\_\_\_

NAME # \_\_\_\_\_

SIS # \_\_\_\_\_

AIA # \_\_\_\_\_



133209 (PSS1000LCN)

Wall Cupboard with Plate  
rack and 2 doors, 1000 mm

### Short Form Specification

Item No. \_\_\_\_\_

Constructed in stainless steel. Back and bottom are made from a single bended stainless steel sheet for easier cleaning. Uprturned panel edges. Perforated base shelf and removable plate rack. Double-walled sliding doors. Loading capacity: 80kg.

### Main Features

- Accessories available upon request: wall panels for installation with units equipped of splashbacks. Wall panel can be completed with rack to hold utensil containers, hooks, baskets, knife blocks and plate and glass racks.

### Construction

- Back and bottom panels composed of a single bended sheet for easier cleaning.
- Wall cupboard features an ergonomic handle and internal plate rack, easily removable to facilitate cleaning.
- Two double-walled sliding doors flush fitting to the front of the frame can easily be removed without the use of tools to facilitate cleaning of the cupboard interior.

### Optional Accessories

- Lighting kit with led for wall cupboards (1000mm and 1200mm) PNC 850709
- Lighting kit with led for wall cupboards (1400mm, 1600mm and 1800mm) PNC 850710

APPROVAL: \_\_\_\_\_

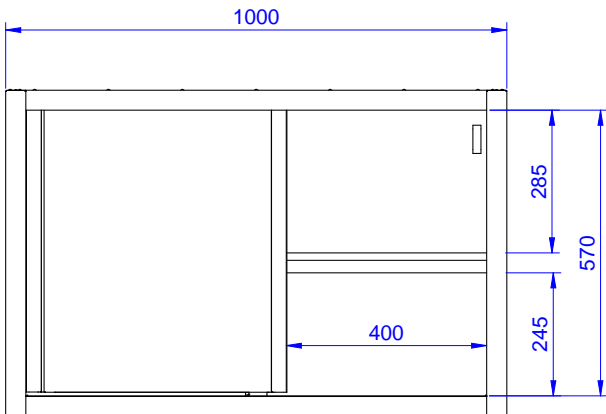


Experience the Excellence  
[www.electroluxprofessional.com](http://www.electroluxprofessional.com)

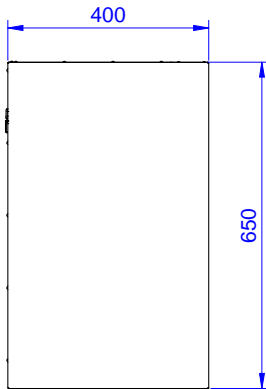
### Key Information:

N° of doors:	2
133209 (PSS1000LCN)	
External dimensions, Width:	1000 mm
External dimensions, Depth:	400 mm
External dimensions, Height:	650 mm

Front



Side



Top

